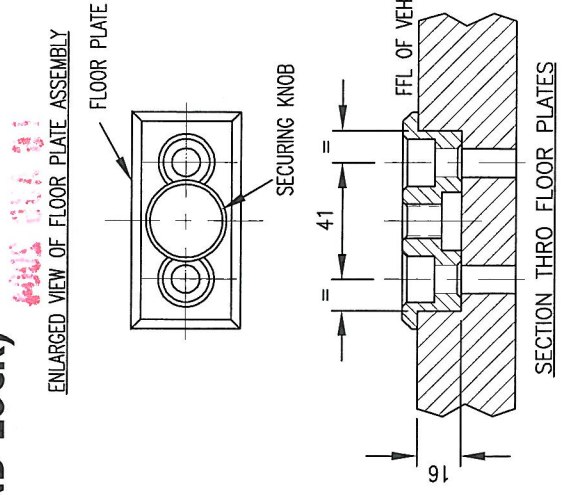
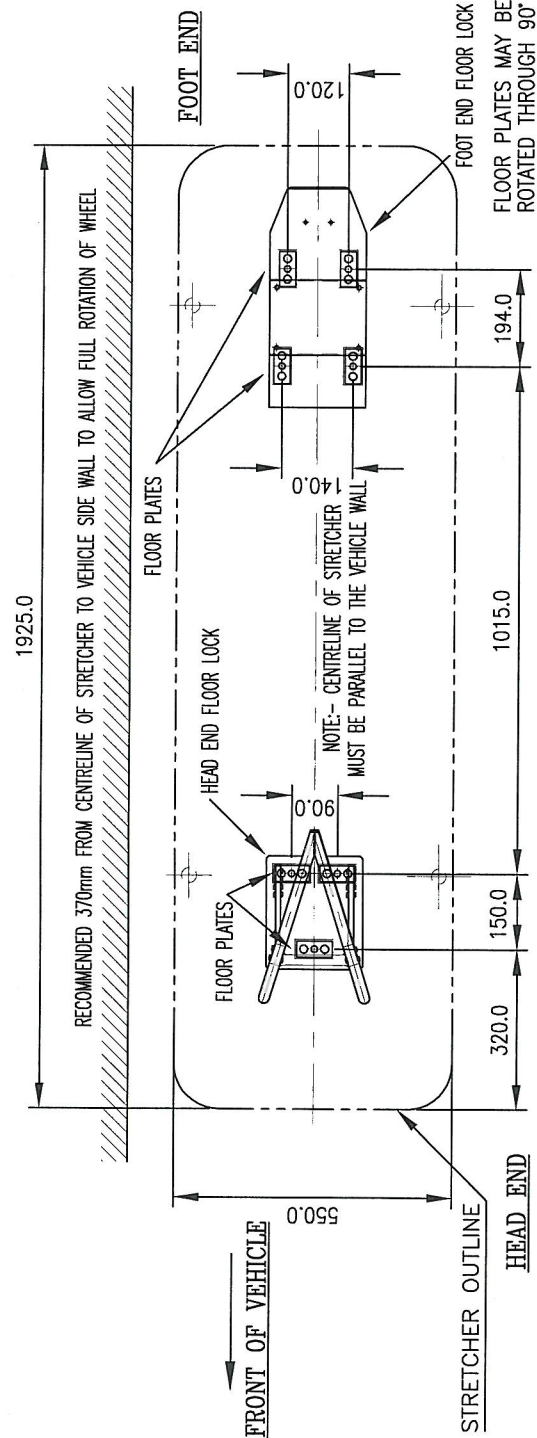


FALCON SIX / HAWK SIX INSTALLATION GUIDE (REVERSE HEAD END LOCK / MANUAL FOOT END LOCK)



- SECURING THE STRETCHER IN THE CEN LOCK
DOWN BRACKET ASSEMBLY**
- 1 LOAD THE STRETCHER INTO THE AMBULANCE
 - 2 GUIDE THE STRETCHER INTO THE HEAD END FLOOR LOCK ASSEMBLY
 - 3 SECURE THE STRETCHER USING THE REAR END FLOOR LOCK ASSEMBLY & CHECK FOR SECURITY & SAFETY

IMPORTANT NOTES:

DRAWING IS FOR HOLE POSITION GUIDANCE ONLY. USE FRONT END & FOOT END FLOOR LOCK ASSEMBLIES AS TEMPLATES, INDICATED IN RELEVANT NOTES.

POSITION OF OTHER EQUIPMENT IN AMBULANCE MUST BE TAKEN INTO CONSIDERATION BEFORE INSTALLATION OF FERNO CEN FLOOR LOCKS TO AVOID CLASHING WITH STRETCHER

INSTALLATION OF THE EQUIPMENT TO THE VEHICLE IS THE RESPONSIBILITY OF THE INSTALLATION ENGINEERS WHO MUST ENSURE THEY USE CORRECT HIGH TENSILE FIXINGS AND SUITABLE ANCHORAGE PLATES

THIS PRODUCT MUST BE REGULARLY SERVICED AND MAINTAINED TO ENSURE SATISFACTORY OPERATION.

INSTALLATION OF FLOOR PLATES (WHERE USED)

NOTE: SPACER/FLOOR PLATES SUPPLIED BY FERNO (UK) Ltd. MAY BE DISCARDED IF THE LOCKS ARE TO BE MOUNTED ON SUITABLE 5-mm PLATES PROVIDED BY OTHERS.

- WHEN STRETCHER IS PLATFORM-MOUNTED, USE SPACER PLATES TO REPLACE THE FLOOR MOUNTING PLATES.
ANCHORAGE SHOULD SUIT 1/2 - 13 UNC THREAD.
- 1) POSITION THE FLOOR PLATES IN THE APPROPRIATE POSITIONS USING THE RELEVANT DIMENSIONS SHOWN.
 - 2) SCRIBE AROUND THE BASE OF THE FLOOR PLATES. IT IS IMPORTANT TO ENSURE THE FLOOR PLATE IS A TIGHT FIT IN THE AMBULANCE FLOOR.
 - 3) USING A JIGSAW, CUT OUT PREVIOUSLY SCRIBED SLOT TO A DEPTH SUITABLE FOR THE FLOOR PLATE.
 - 4) DRILL Ø10.5 HOLES IN RELEVANT POSITIONS SHOWN.
 - 5) PLACE THE FLOOR PLATE IN THE SLOT.
 - 6) USING SUITABLE & SECURE FIXINGS FIT THE FLOOR PLATE.
 - 7) USING SUITABLE & SECURE FIXINGS FIT FRONT & FOOT END FLOOR LOCK ASSEMBLIES TO THE FLOOR PLATES AS INDICATED.
 - 8) TEST FOR SECURITY & SAFETY.