



# iNLINE®

Fastening System



**FERNO®**

August 2024 | 234-3621-04



## Ferno Customer Relations

Ferno-Washington, Inc., 70 Weil Way  
Wilmington, Ohio 45177-9371, U.S.A.

Information [www.ferno.com](http://www.ferno.com)  
Authorized Service and Support [ferno.com/service-and-support](http://ferno.com/service-and-support)

U.S., Canada	1.877.733.0911
International	Country Code +1.937.382.1451
Fax	1.888.388.1349

### INSTRUCTIONS FOR USE



Read this Manual and Retain for Future Reference. To request additional free manuals, contact Ferno.



Medical Device



Ferno-Washington, Inc.  
70 Weil Way  
Wilmington, OH 45177-9371, U.S.A.  
1.937.382.1451



FERNO S.r.l.  
Via B. Zallone n.26  
40066 Pieve di Cento (BO), Italy  
+39 (051) 6860028



Ferno (UK) Ltd.  
Ferno House, Stubs Beck Lane, Cleckheaton,  
West Yorkshire, BD19 4TZ, UK  
+44 (0) 1274 851 999



## Disclaimer

This manual contains general instructions for the use, operation and care of this product. Instructions are not all-inclusive. Safe and proper use of this product is solely at the discretion of the user. Safety information is included as a service to the user. All other safety measures taken by the user should be within and under consideration of applicable regulations and local protocol. Training on the proper use of this product must be provided before using this product in an actual situation.

Retain this manual for future reference. Include it with the product in the event of transfer to new users. Additional free copies are available upon request from Customer Relations.

## Proprietary Notice

The information disclosed in this manual is the property of Ferno. Ferno reserves all intellectual property rights, proprietary design rights, manufacturing rights, reproduction use rights, and sales use rights thereto, and to any article disclosed therein except to the extent those rights are expressly granted to others or where not applicable to vendor proprietary parts.

## Limited Warranty Statement

Ferno products are covered by a limited warranty, printed on all Ferno invoices. Complete terms and conditions, and limitations of liability, are available from Ferno.

## Adverse Event Notice

In the event of an adverse event or serious incident related to the use of this device, the end user/operator must report the incident to Ferno at 1-877-733-0911, or via email at [tscoordinator@ferno.com](mailto:tscoordinator@ferno.com). If the incident occurred outside the U.S., report it to Ferno's Authorized Representative for that area.

## Disposal

Prior to disposal, clean and disinfect the product according to the Maintenance section of this manual. Recycle or dispose of the product following local protocols and regulations. Do not dispose of the product in municipal waste.

## Unique Device Identification (UDI)

**FERNO** Product Name/Model UDI

Date of Manufacture		(01) Global Trade Item Number
Serial Number		(11) Date of Manufacture
		(21) Serial Number

Ferno-Washington Inc. | Wilmington, Ohio 45177 USA | +1.937.382.1451

**FERNO** Product Name/Model UDI

Date of Manufacture		(01) Global Trade Item Number
Lot Number		(11) Date of Manufacture
		(10) Lot Number


Ferno | Wilmington, Ohio 45177 USA | +1.937.382.1451



# 1 - SAFETY INFORMATION










## 1.1 Warning

Warning safety alerts indicate a potentially hazardous situation that, if not avoided, could result in injury or death.

 <b>WARNING</b>
<b>Improper or inadequate installation can cause injury. The installer must test the fastening-system setup to meet or exceed all applicable guidelines before using the setup in an ambulance.</b>
<b>Failure to use protective equipment can allow injury. Use protective equipment as needed for installation.</b>
<b>Professional use by trained operators only. Maintain control of product and controls.</b>
<b>An improperly-secured fastening system can fail in a crash. Confirm all fasteners are fully tightened and properly secure the fastening system to the floor.</b>
<b>Use the product only for its intended purpose. Improper use, operation, or maintenance can cause injury. Use, operate and maintain only as instructed.</b>
<b>An improper cot can cause injury. Use only cots designated as compatible with the fastening system based on local regulatory requirements.</b>
<b>Improper parts, modifications or items not designed for the product can cause injury. Use only Ferno-approved parts and service. Attach only approved items to the product. Do not modify the product.</b>

## 1.2 Symbol Glossary

Ferno uses, as applicable, the following safety and regulatory symbols.

Symbol	Definition
	General warning of potential injury
	Do not lubricate
	Consider instructions for use (ISO 7000)
	Refer to instructions for use (ANSI Z535/ISO 3864)
	Disinfecting
	Cleaning
	Pressure-wash permitted
	Lock
	Unlock

## 1.3 Notice

Notices emphasize important, but not hazard-related information. Failure to follow Notices could result in product or property damage.

<b>NOTICE</b>

## 1.4 Compliance

### SPECIFICATIONS AND STANDARDS

When properly installed and used with appropriate additional Ferno products, the iN|LINE® fastening system meets or exceeds the following global specifications and standards.

#### U.S.A.

- AMD: Ambulance Manufacturer's Division (AMD) of the National Truck Equipment Association Standard 004, Litter Retention System Static Test.
- KKK-A-1822 (F): Federal Ambulance Specification KKK-A-1822 revision F as applicable.
- NFPA 1917: National Fire Protection Association standard.
- SAE: Society of Automotive Engineers SAE J3027 Recommended Practice.
- CAAS: Commission on Accreditation of Ambulance Services Global Vehicle Standard (GVS)
- IP56: Ingress Protection rating for dust and water infiltration.

#### CANADA

- Ontario: Ontario Land Ambulance Standard Section 20.1 Main Cot Retention.
- BCAS: BCAS Ambulance Performance Test Criteria E2 Stretcher Retention.
- Alberta: Alberta Health and Wellness Ambulance Vehicle Standard Code Section 17.5 Cot Retention System Test.
- AMD 004 Litter Retention System Static Test. (Some provinces follow the U.S. AMD specification.)

#### AUSTRALIA/NEW ZEALAND

- AS/NZS 4535. Meets the requirements of the Ambulance Restraint Systems test.

#### EUROPE

- CE: Meets European Norms.
- RoHS-2: Meets the requirements of RoHS-2 Directive 2015/863 on the Restriction of the Use of Certain Hazardous Substances.
- EN 1789 and EN 1865: Vehicle, fastening system, and crash-test standards.

## 1.5 Installation Requirements

### INSTALLER REQUIREMENTS

- To install the fastening system, a skilled professional who is familiar with ambulance construction is required.
- Install the fastening system to meet or exceed all applicable standards in your country. Fastener support structure must be able to withstand the forces associated with the appropriate national standards. See "Compliance" on page 3.
- Two people may be needed for some installation steps.

### VEHICLE REQUIREMENTS

- Inspect the ambulance for anything that might interfere with the installation.
- The floor to which the mounting components are attached must have sufficient strength to hold the mounted fastening system and cot with patient. Consult the ambulance manufacturer for ambulance structural details and ambulance warranty information.
- Install a new fastening system when remounting an ambulance box.
- If the ambulance is involved in a traffic accident, inspect the fastening system. Replace any damaged components and inform Ferno. See "Adverse Event Notice" on page 2.
- For complete installation information, refer to the iN|LINE or Ferno Universal Floor Plate installation manual. See page 2.

### WARNING

**Improper or inadequate installation can cause injury. The installer must test the fastening-system setup to meet or exceed all applicable guidelines before using the setup in an ambulance.**

**Improper installation can cause injury and damage. Install the fastening system only as described in this manual.**

**Failure to use protective equipment can allow injury. Use protective equipment as needed for installation.**

### NOTICE

Installation fasteners and support structure must be able to withstand the forces associated with the applicable standards within the country where the ambulance will be operated.

Inspect under the ambulance floor for anything (fuel tank, wiring, brake lines, fuel lines, oxygen lines or other items) that might interfere with the installation.

If the ambulance is involved in a traffic accident, inspect the fastening system.

## 2 - OPERATOR TRAINING

### 2.1 Operator Training

Operators must: read and understand this manual, have the physical ability to assist the patient, be trained on proper product operation, be trained on emergency-medical service and patient-handling procedures, and practice with the product before using it with a patient. Keep training records.

### WARNING

**Professional use by trained operators only. Maintain control of product and controls.**

## 3 - ABOUT THE FASTENING SYSTEM

### 3.1 Description

The Ferno® iN|LINE® Fastening System is a device designed to secure a compatible Ferno ambulance cot inside a ground-based ambulance.

The fastening system is compatible with the Ferno® iN|X® Patient Transport & Loading System™ and PRO 28Z Chair Cot.

Three lengths are available: iN|LINE-S, iN|LINE-M, and iN|LINE-L. In this manual, the term fastening system refers to all versions. When differences exist, the specific model name is used.

The fastening system is for professional use only by trained Emergency Medical Service operators (page 4).

#### FEATURES

- **Aluminum Construction:** The exterior is impact-resistant and easy to clean.
- **ICS® Automatic Charging:** The Integrated Charging System charges or maintains the charge in the cot battery whenever the cot is secured in the fastening system. Cot power switches OFF when secured in a powered ICS.
- **Safety Hook:** The integrated safety hook functions as a safety stop to hold the cot secure inside the ambulance while operators raise and lower the legs during the loading and unloading process
- **Release Button:** Single-press button unlocks the cot for unloading.
- **Tested and Certified for Worldwide Standards Compliance:** See "Compliance" on page 3.
- **Track Loading:** Allows loading of the cot from a variety of angles.
- **Common Components:** The only variation between iN|LINE models is the overall length of the fastening system.

### 3.2 General Specifications

Product specifications are shown in the table. General specifications are rounded. Metric conversions are calculated before rounding the Imperial measurement.

Ferno reserves the right to change specifications without notice. For more information, contact Ferno (page 2).



#### WARNING

**Use the product only for its intended purpose. Improper use, operation, or maintenance can cause injury. Use, operate and maintain only as instructed.**

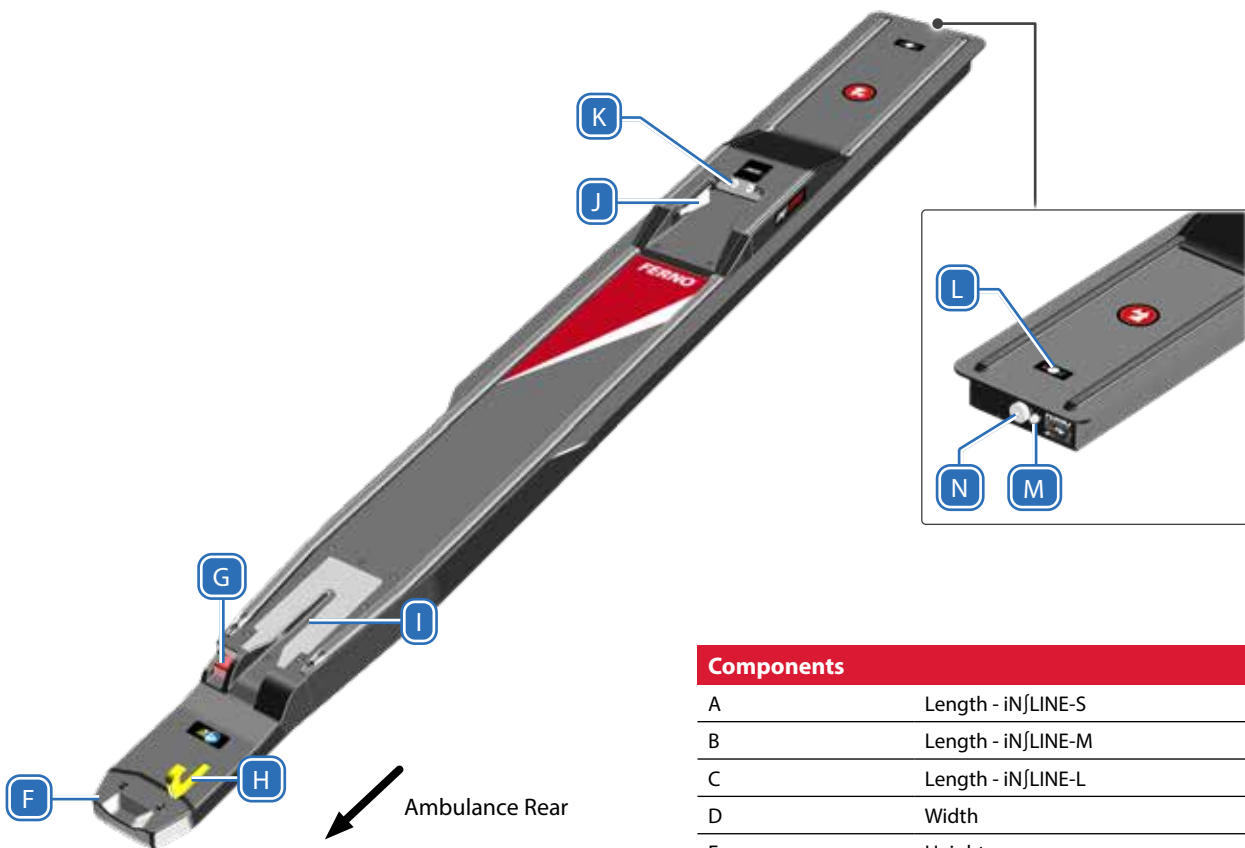
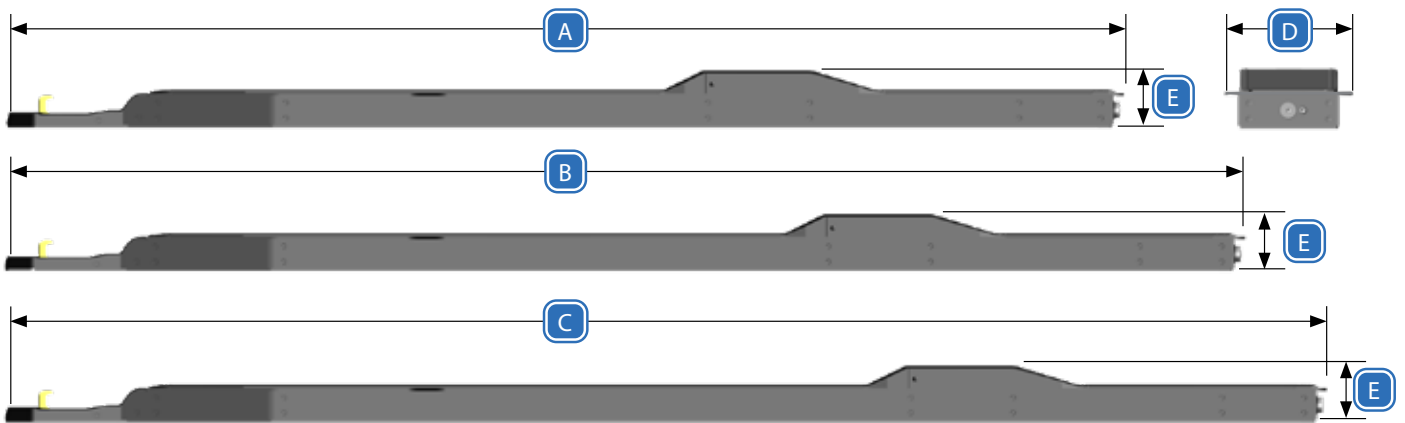
**An improper cot can cause injury. Use only cots designated as compatible with the fastening system based on local regulatory requirements.**

#### Installation Overview

To install the fastening system, follow the instructions in the iN|LINE installation manual. For additional manuals, contact Ferno (page 2). As a user, be aware of the following:

- The ambulance must comply with the standards of the country in which it is used. See "Compliance" on page 3 for a list of standards met by the fastening system.
- Inspect under the ambulance for obstructions and for suitable support structure. The installer should install support structure if needed.
- Inspect the fastening system regularly to ensure it meets all required standards required by your local government. See page 9.
- Install a new fastening system when remounting an ambulance box. Removing and reinstalling an old fastening system can weaken the fastening system.
- If the ambulance is involved in a traffic accident, inspect it. See page 9. Replace any damaged components.

Specifications	Imperial	Metric
Length iN LINE-S	86 in	2184 mm
Length iN LINE-M	95 in	2424 mm
Length iN LINE-L	102 in	2584 mm
Width (S, M, L)	9.5 in	240 mm
Height (S, M, L)	4.5 in	115 mm
Weight iN LINE-S	72 lb	32.7 kg
Frame	Aluminum	
Internal Components	Steel	
Other	Plastic	



**Components**

A	Length - iNfLINE-S
B	Length - iNfLINE-M
C	Length - iNfLINE-L
D	Width
E	Height
F	Nose
G	Release Button
H	Safety Hook
I	Fastening Post Retainer
J	Fastening Post Lock
K	ICS Contacts
L	Floor Lock Indicator
M	Floor Lock Set Screw
N	Floor Lock Bolt

## 4 - OPERATIONS

### 4.1 Release Button

Press the release button (G), (Figure 1) to disengage the lock and allow the cot to be removed from the fastening system.

### 4.2 Safety Hook

The safety hook (H), (Figure 1) holds the cot safety bar securely while the operators raise or lower the undercarriage legs during the loading and unloading process.

### 4.3 Fastening-Post Retainer

The fastening-post retainer (I), (Figure 1) captures the cot control-end post and helps secure the cot in the fastening system during vehicle transport.

### 4.4 Fastening-Post Lock

The fastening-post lock (J), (Figure 2) captures and secures the cot loading-end fastener post during the loading process and securely locks the cot into the fastening system for vehicle transport.

### 4.5 Integrated Charging System (ICS®)

Integrated Charging System contact pins (K), (Figure 2) disable powered operation of the iNfX and charge the iNfX main battery.

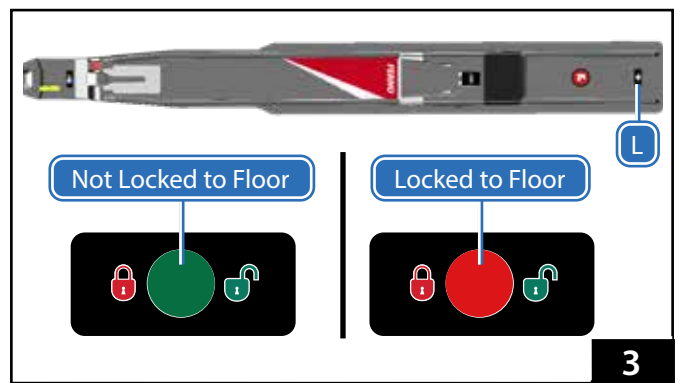
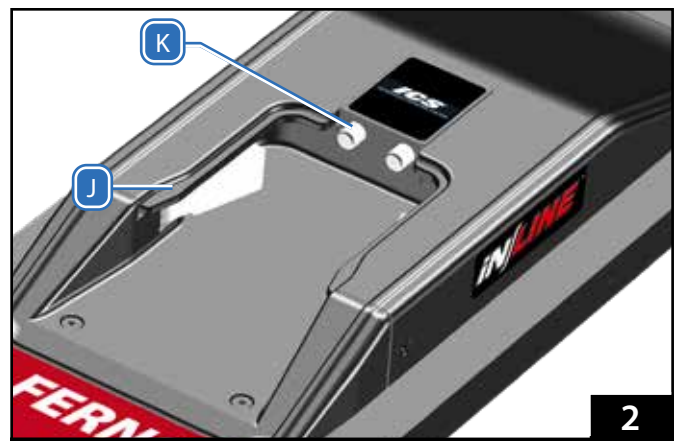
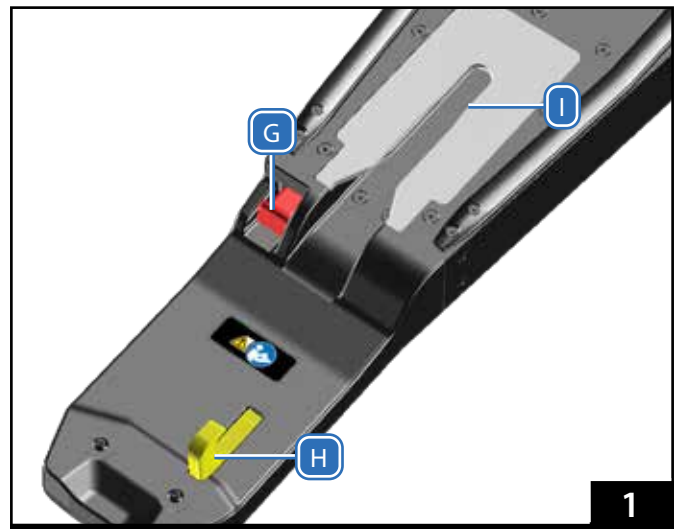
The ambulance ignition, inverter, and/or outlet switch may need to be turned ON to supply electrical power to the ICS.

### 4.6 Floor Lock Indicator Window

The floor lock indicator window (L), (Figure 3) helps verify that the fastening system is secured to the ambulance floor.

The indicator window is fully red when the fastening system is properly locked to the floor. If any portion of green is visible, the fastener is not properly secured.

The upper fastener is removable from the floor for cleaning. See the instructions on page 11 and page 12.



## 5 - USING THE FASTENING SYSTEM

### 5.1 General Guidelines for Use

Medical advice is beyond the parameters of this manual. It is the operators' responsibility to ensure safe practices for the patient and themselves.

A minimum of two trained operators is required. Operators must:

- Check all product functions prior to use and visually inspect the product for readiness. See page 9.
- Verify the cot is being charged by the Integrated Charging System (if equipped). Refer to the ICS users' manual.

### 5.2 Using the Fastening System

Refer to the cot users' manual for loading and unloading instructions. For additional manuals, contact Ferno (page 2).

#### Loading:

1. Always fully engage the yellow safety hook (H), (Figure 4) with each cot safety bar (N). Roll the cot firmly against the safety hook and confirm the hook has engaged the safety bar before raising or lowering the undercarriage legs.
2. Refer to the cot users' manual to load the cot into the fastening system.
3. Roll the cot completely into the fastening system until the lock engages. Confirm the cot fastening posts engage the fastening system lock (J), (Figure 5) and retainer (I), (Figure 6).
4. Verify the cot is locked in the fastening system by attempting to roll it out of the ambulance. If the lock has engaged, the cot will remain locked in the fastening system.

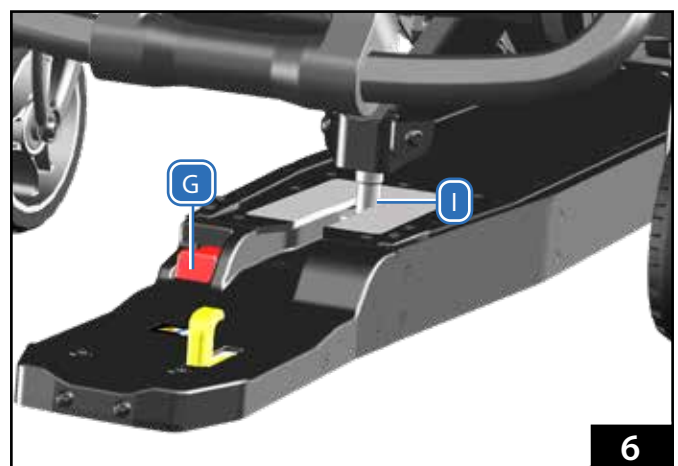
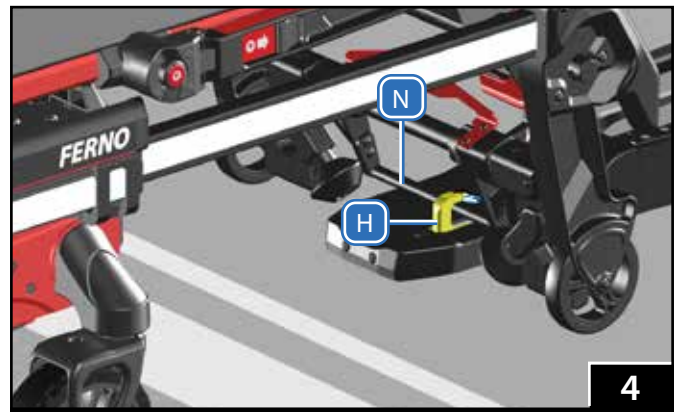
#### Unloading:

1. Push the cot toward the front of the ambulance and press the red release button (G), (Figure 6) to disengage the lock.
2. Refer to the cot users' manual to unload the cot from the fastening system.
3. Always fully engage the yellow safety hook (H), (Figure 4) with each cot safety bar (N). Roll the cot firmly against the safety hook and confirm the hook has engaged the safety bar before raising or lowering the undercarriage legs.
4. After extending the cot legs and confirming all four cot transport wheels are stable on the ground, release the cot safety bar from the fastening system.

#### WARNING

Use the product only for its intended purpose. Improper use, operation, or maintenance can cause injury. Use, operate and maintain only as instructed.

An improper cot can cause injury. Use only cots designated as compatible with the fastening system based on local regulatory requirements.





## 6 - MAINTENANCE

### 6.1 Maintenance Schedule

The product requires regular maintenance. Set up and follow a maintenance schedule. Refer to the table for minimum intervals for maintenance. Keep maintenance records. For a sample record sheet, see "Maintenance Record" on page 15. When using maintenance products, follow the manufacturers' directions and read the manufacturers' material safety data sheets.

### 6.2 Service Life

Factors affecting product service life include frequency of use, local environment (temperature, humidity, etc.); maintenance (adherence to the inspection and maintenance schedule); and other factors. Follow the disinfecting, cleaning, and inspection procedures in this manual to ensure long life for the cot.

### 6.3 Bloodborne Disease Notice

To reduce the risk of exposure to blood or other potentially infectious materials when using the product, follow the disinfecting and cleaning instructions in this manual.

### 6.4 Disinfecting and Cleaning

Remove the cot from the fastening system. Inspect all items for damage while disinfecting and cleaning.



Wipe all surfaces with disinfectant. Follow the disinfectant manufacturer's instructions for application method and contact time.



The upper fastener is removable from the floor for cleaning (page 11). Hand clean with warm water and a mild detergent. Rinse with warm, clear water. Dry with a towel or allow it to air-dry. Reattach the upper fastening system after cleaning (page 12).

### 6.5 Inspecting the Fastening System

Have your service's equipment maintenance personnel inspect the fastening system regularly.

Follow the checklist at right and operate the fastening system through all its functions as described in this manual.

If inspection shows damage or excessive wear, remove the fastening system from service until repair is made. See "Parts and Service, Accessories" on page 14.

#### WARNING

**Use the product only for its intended purpose. Improper use, operation, or maintenance can cause injury. Use, operate and maintain only as instructed.**

Minimum Maintenance	Each Use or Daily	As Needed	Monthly
Disinfecting (this page)		•	
Cleaning (this page)		•	
Inspecting (this page)		•	•

#### NOTICE

Do not use disinfectants or cleaners containing phenolics or iodines. If bleach is used, rinse with plenty of clear water to remove bleach residue.

Using abrasive cleaning compounds or applicators on the product can cause damage. Do not use abrasive materials to clean the product.

Make sure all connections are tight, but do not overtighten the hardware. Overtightening, especially with powered tools, can cause the nut and bolt beneath the ambulance floor to pull through the support structure.

If inspection indicates the components are pulling through the support structure, take the fastening system out of service immediately and install a new fastening system.

#### Inspection Checklist

- Are all components present?
- Is the fastening system free of excessive wear?
- Are all parts in good condition (no cracks, corrosion, or damage)?
- Do all moving parts operate smoothly and properly?
- Does the fastening system lock properly to the floor?
- Does the cot load and unload properly?
- Does the cot lock properly into the fastening system?
- Monitor the ambulance floor, including beneath the ambulance, and check the integrity of the fastening system. Is the system worn? Has exposure to the environment caused noticeable damage?
- Is all hardware tight? (Reminder: Do not overtighten the hardware.)
- If equipped with ICS, does the fastening system charge the cot battery when a compatible Ferno powered cot is locked in the fastener?

## 6.6 Lubrication-Free

The fastening system is constructed with lubrication-free materials. Do not lubricate the fastening system.

## 6.7 Pressure-Washing

IP 56: The product has been tested in compliance with dust and water infiltration standards and has earned a Solid Particle Protection Rating of 5 (dust-protected), and Liquid Ingress Protection Rating of 6 (protected against water infiltration).

Use caution when using pressurized water, spray-wands and equipment to clean the product. Wear all safety equipment recommended by the pressure-sprayer manufacturer.

Use a nozzle with a wide angle of spray (25° or 40°).

Set nozzle pressure at or below 1200 PSI (8,274 kPa) and 4 gallons per minute/15 liters per minute or less. Keep nozzle at least 18"/457 mm from the product at all times during cleaning. If using higher pressure, increase the distance between spray wand and product.

Avoid spraying directly into/onto the electric components. Reduce water pressure and increase the distance between spray-wand and product.

1. Remove the cot from the fastening system.
2. If you have the Integrated Charging System (ICS), disconnect power to the Ferno battery charger, or turn the power to the charger OFF.
3. If you have removed the upper fastening system from the floor, cover ICS cable ends with a plastic bag held closed by a rubber band to prevent water from entering a disconnected cable. Do not spray directly into the ICS contacts.
4. Follow the recommended pressure setting and nozzle distance while cleaning.
5. Allow product to dry for 10 minutes. Wipe the fastening system dry with a towel if desired.
6. When fully dry, return the fastening system to service.
7. For ICS, reconnect the Ferno battery charger or turn power to the charger ON. Load the cot into the fastening system and verify the ICS charges the battery and disables the cot's powered mode.

### NOTICE



Lubricating parts that should not be lubricated allows dirt and foreign particles to collect on those parts, resulting in damage.

### NOTICE

The product is water-resistant (IP56). When pressure-washing:

- Do not spray water into the cables.
- Keep the nozzle pressure setting at 1200 PSI (8,274 kPa) or less and 4 gallons per minute/15 liters per minute or less.
- Keep the nozzle at least 18"/457 mm from the surface of the fastening system at all times during cleaning.
- Cover both ICS cable connectors if the upper fastening system has been removed from the floor.
- Keep track of the four locator pins if the upper fastening system has been removed from the floor.
- Do not spray water into the ICS contacts.

## 6.8 Removing the Fastening System from the Floor for Cleaning

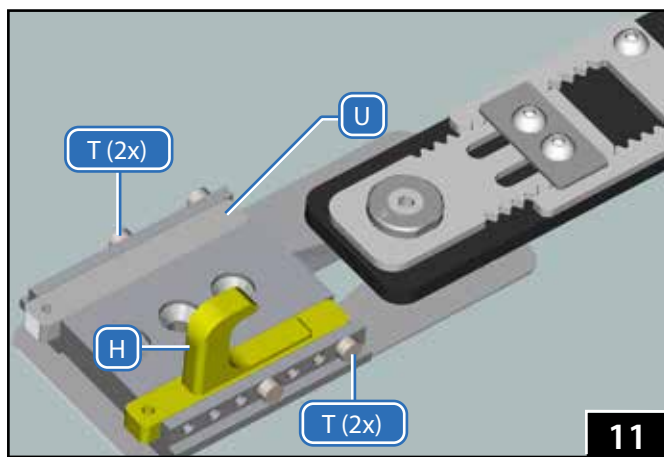
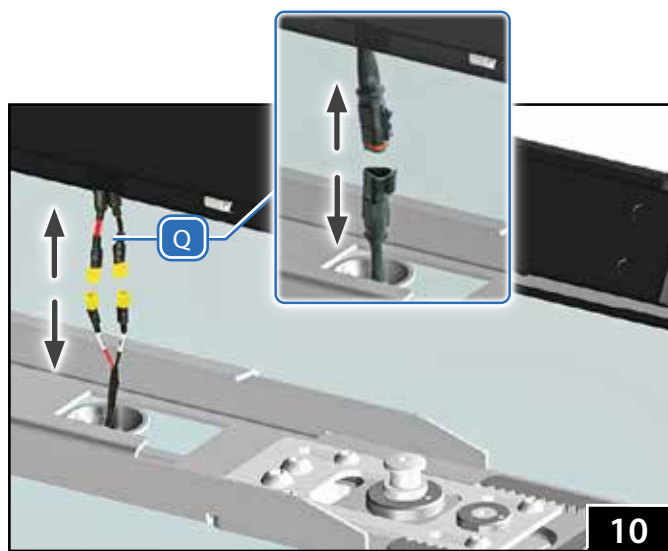
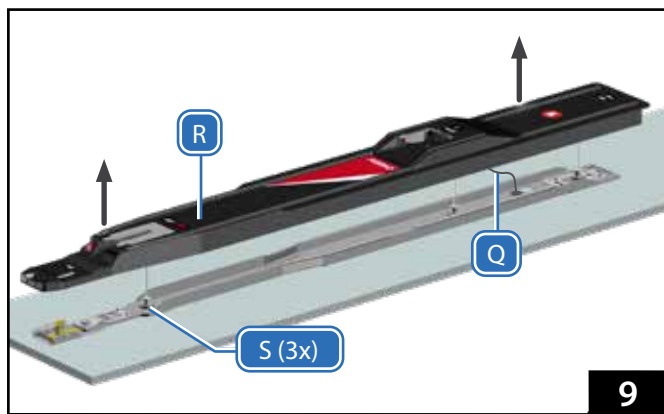
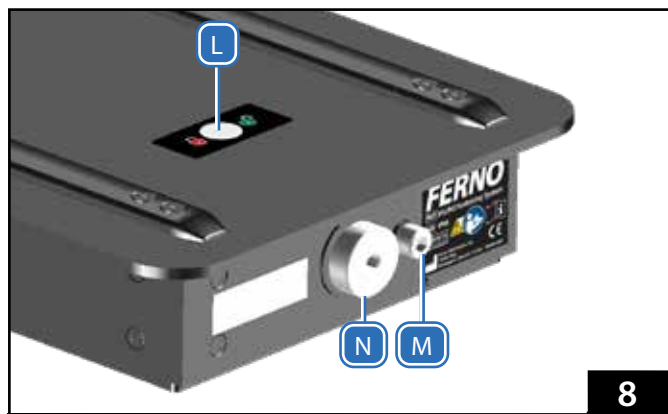
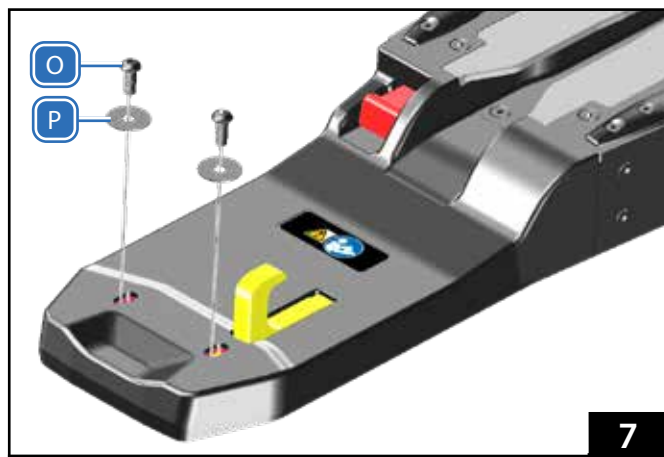
The upper fastening system is removable for cleaning. Note: If equipped, the ICS cable is connected to the floor under the fastening system. Take care when lifting the fastening system.

1. Using a 4 mm hex wrench, remove two screws (O) and washers (P) from the nose (Figure 7). Keep screws and washers.
2. Using a 6 mm hex wrench, loosen set screw (M) at end of fastening system near the floor lock window (L), (Figure 8).
3. Use a 6 mm hex wrench to loosen fastening bolt (N), (Figure 8) until the floor lock window changes from red (locked) to fully green (not locked). See page 7.
4. Use additional help as needed to lift the fastening system cover. Use caution to not damage the ICS cable (Q) as you lift the upper fastening system (R) straight up off floor posts (S) and set it beside the floor plate (Figure 9).
5. Disconnect ICS cable (Q), (Figure 10). The connectors may be a pair of flag terminals or a triangle connector.
6. During cleaning, be aware that locator pins (T), (Figure 11) that hold the safety hook (H) and insert (U) are loose. Keep pins in place while cleaning.
7. If power-washing with the upper fastening system removed, cover both ends of the ICS connector cables with a plastic bag, held closed by a rubber band.

### NOTICE

To prevent damage to the ICS charging wire, monitor the position of the charging wire as you lift the fastening system off the floor adapter.

Do not remove the locator pins that hold the position of the safety hook and insert. Verify all four pins are present. Keep the pins in position.



**NOTICE**

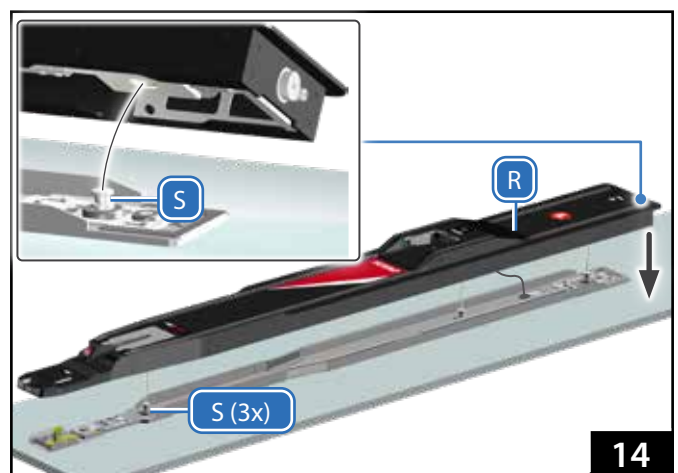
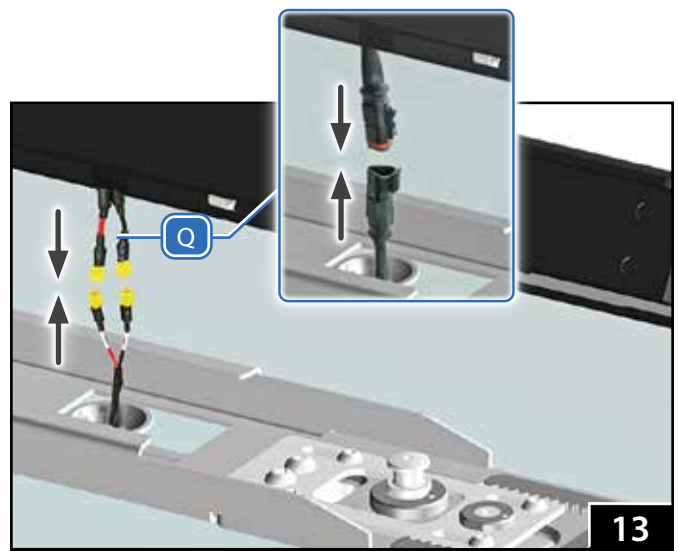
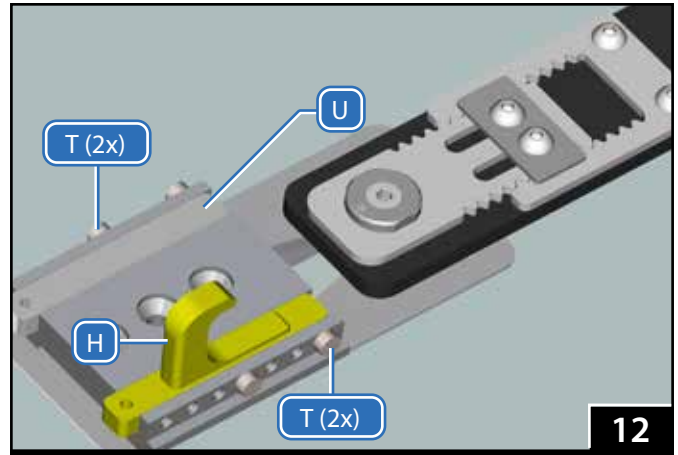
Do not remove the locator pins that hold the position of the safety hook and insert. Verify all four pins are present. Keep the pins in position.

**WARNING**

An improperly-secured fastening system can fail in a crash. Confirm all fasteners are fully tightened and properly secure the fastening system to the floor.

## 6.9 Attaching the Fastening System to the Ambulance Floor

1. After cleaning, verify that the four locator pins (T) holding the position of the safety hook (H) and insert (U) are in position (Figure 12).
2. Remove the rubber band and plastic bag cover from the two halves of the ICS cable.
3. Verify that the floor lock indicator window is showing green (no red). See page 7.
4. Connect the ICS cable (Q) to the floor connector (Figure 13). If the connectors are yellow terminals on black and red wires, connect red-red and black-black. If the fastener has the triangle connector, orient the clip with the mating receiver. Confirm the cables are properly connected. Center any excess cable in the middle of the mounting rail where it will not be kinked or damaged. Monitor the position of the ICS cable as you attach the upper fastening system to the floor rail.
5. Using additional help as needed, orient the upper fastening system (R) over the three floor posts (S). Set the upper fastening system in place (Figure 14).
6. Verify the upper fastening system (R) is properly positioned on the mounting rail, with the safety hook passing through the slot in the nose. The upper fastening system should fully contact the floor.



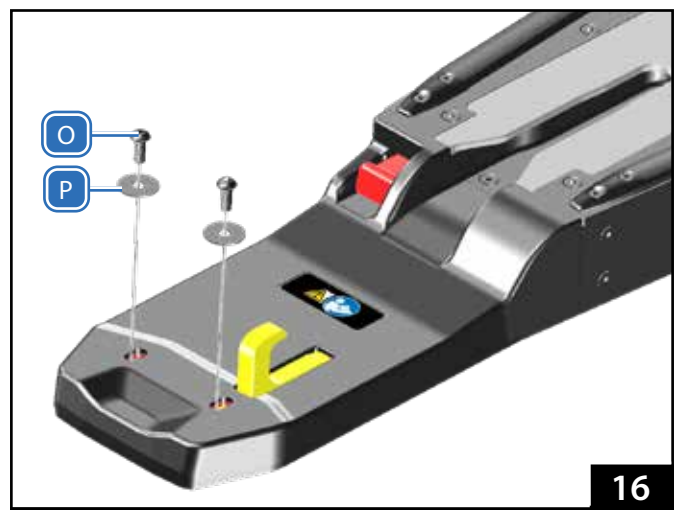
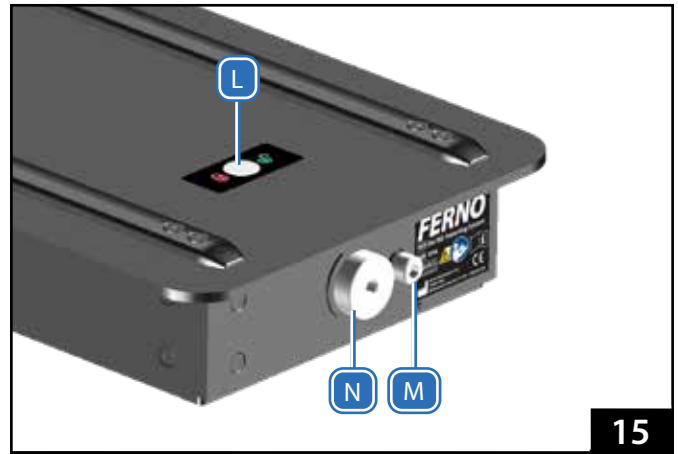
1. Use a 6 mm hex wrench to tighten the fastening bolt (Figure 15). Verify the floor lock indicator window (L) changes from green (unlocked) to fully red (locked). See page 7.
2. Use a 6 mm hex wrench to tighten the set screw (M), (Figure 15). Tighten until snug.
3. Clean and prepare the two 4 mm nose screws as follows:
  - Clean the threads of the screws, plus the mating threads of the safety-hook mounting block with acetone or an appropriate threadlocker cleaner/primer (not supplied). Allow the threads to dry completely.
  - Apply 1 drop of removable threadlocker to the screw threads. Install the screws immediately. Wipe off any excess threadlocker.
  - Allow threadlocker to dry for a minimum of one hour before use. Full cure time is 24 hours.
4. Use a 4 mm hex wrench to attach the two nose screws (O) and washers (P), (Figure 16). Tighten until snug. Do not overtighten.

**NOTICE**

When tightening the fastening bolt, the bolt should be able to rotate at least 12 complete 360° rotations. If the bolt stops prior to this, or if any green shows in the window, the fastening bolt is not tight enough. Remove and reposition the fastening system and verify it is properly engaged with the floor posts.

Before applying threadlocker, always clean and prime receiving threads of fasteners and parts.

Allow threadlocker to dry for a minimum of one hour before using the fastening system. Full cure time is 24 hours.



## 7 - PARTS AND SERVICE, ACCESSORIES

### 7.1 Ferno Parts and Service

For parts or professional repair, contact your Ferno distributor, Ferno Customer Relations, or visit our website for a list of Authorized Service providers.

Ferno-Washington, Inc., 70 Weil Way  
Wilmington, Ohio 45177-9371, U.S.A.

Information [www.ferno.com](http://www.ferno.com)  
Authorized Service [ferno.com/service-and-support](http://ferno.com/service-and-support)

U.S., Canada	1.877.733.0911
International	Country Code +1.937.382.1451
Fax	1.888.388.1349

### 7.2 Australia

In Australia, contact Ferno to order parts or for professional repairs.

Ferno-Australia  
11 Johnstone Road, Brendale, QLD 4500  
Queensland, Australia

Telephone (Toll-Free)	+1.800.804.647
Telephone	+617.3881.4999
Fax	+617.3881.1125
Internet	<a href="http://www.ferno.com.au/">http://www.ferno.com.au/</a>

### 7.3 Accessories

Ferno offers a full line of accessories approved for installing the fastening system. Always follow the instructions packed with accessories. Keep the instructions with this manual.

Ferno also offers a full line of emergency products for the EMS professional. Contact Ferno or your Ferno distributor for product information. See page 2.



#### WARNING

**Improper parts, modifications or items not designed for the product can cause injury. Use only Ferno-approved parts and service. Attach only approved items to the product. Do not modify the product.**

Kit Name	Australia	Global
Kit, Foam Replacement	90-0314	090-6110
Kit, Adjuster plate and hardware	90-0315	090-6111
Kit, iNfLINE Scuff Strips	90-0319	080-6095
Kit, Shim Safety Hook (for Stat Trac or Bare Floor)	90-0320	090-6115
Kit, Safety Hook Locator Pin (4)	90-0329	090-6117
Kit, Safety Hook Assembly (PRO F1)	90-0298	080-6098
Kit, Safety Hook Assembly (Stat Trac)	90-0295	080-6099
Kit, iNfLINE Top Cover	91-0045	090-6118
Kit, iNfLINE Nose	91-0053	090-6127
Kit, iNfLINE Release Spring	91-0054	090-6126

# TRAINING RECORD

Date	Printed Name	Signature	Training Method			Trainer Initials
			Read Manual	Video/ Online	Hands-On	

# MAINTENANCE RECORD

Date	Maintenance Performed	By



70 Weil Way  
Wilmington, OH 45177

Aviation

---

Military

---

Mortuary

---

EMS

---

Rescue

---